



PROJECT		REF		REV	ITEM CODE	
LOCATION		DATE			PAGE	

SANITARY WARE SPECIFICATION SHEET

Item Descriptions	GROHE (Germany) "Eurocube" Wall mounted chrome plated single-lever bath & shower mixer
Dimensions	L181 x W150 x H70 mm
Model	23140000
Finish	Chrome Plated
Country of origin	Germany
Manufacturer	GROHE Limited
Supplier	Acme Sanitary Ware Co. Ltd Mr. Eric Wong/ Mr. Don Yuen
Contact Tel/Fax	(852) 2388-7171 / (852) 2710-8012
E-mail	acme@acmesanitary.com.hk
Website	www.acmesanitary.com.hk

Illustration/ Drawing

Technical drawing details:
 - Top view: Overall width 218 mm, distance between handles 174 mm, height 70 mm.
 - Side view: Total height 181 mm, distance from wall to shower head 124 mm.
 - Mounting: 150±15 mm height from wall to handle center.
 - Connections: G¹/₂ for both hot and cold water inlets and shower outlet.

"Eurocube"
Single-lever bath/shower mixer

- wall mounted
- metal lever
- **GROHE SilkMove** 46 mm ceramic cartridge
- **GROHE StarLight** chrome finish
- adjustable flow rate limiter
- automatic diverter: bath/shower
- mousseur
- integrated non-return valve in shower outlet 1/2"
- covered S-unions
- Protected against backflow
- optional temperature limiter ref. no. 46 375 000

Note:

* All information of the above is for the reference only. No prior notice is made if any changes.



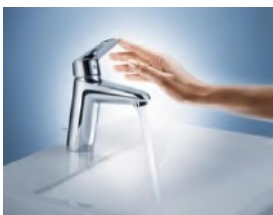
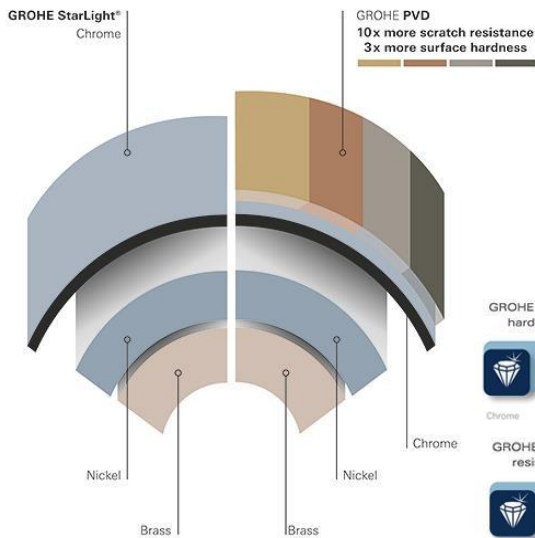
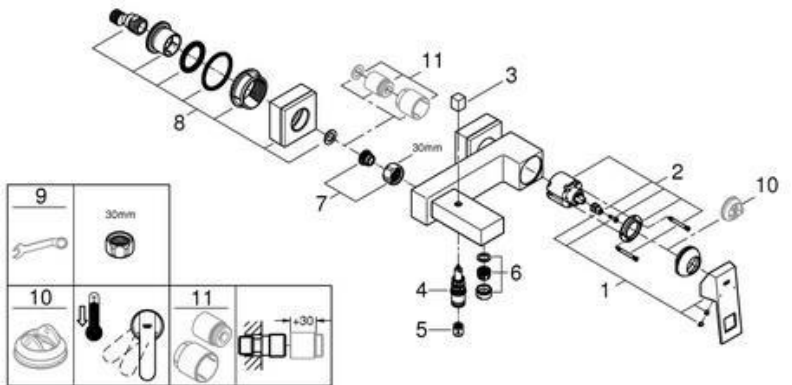
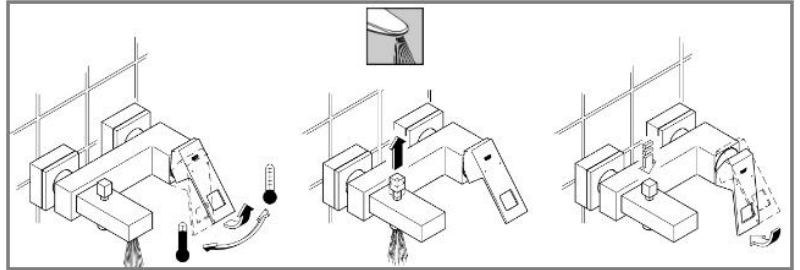
PROJECT		REF		REV	ITEM CODE	
LOCATION		DATE			PAGE	

SANITARY WARE SPECIFICATION SHEET

GROHE EUROCUBE

MAKE A CLEAR STATEMENT

Straightforward, attractive and always focused on the essential. Cosmopolitan life in the teeming city becomes a bit more manageable if you are surrounded by straight lines. The overarching concept of GROHE Eurocube evokes the dynamic lifestyle of busy people and celebrates the dramatic beauty of the cube. Enjoy a bit of clarity.



GROHE SilkMove cartridge technology for smooth handling

This premium tap comes with a continuously variable water temperature and volume adjustment technology, ensuring effortless lever operation even after years of use.

Pos.-nr.	Prod. description	Order-nr.
1	Lever	46782000
2	Cartridge	46048000
3	Diverter knob	48128000
4	Diverter	65655000
5	Non-return valve	08565000
6	Mousseur	13952000
7	Screw connection 1/2"	45044000
8	S-union	47824000
9	Special spanner	19377000*
10	Temperature limiter	46375000*
11	Extension set, 30 mm	46238000*

* Optional accessories

Note:

* All information of the above is for the reference only. No prior notice is made if any changes.